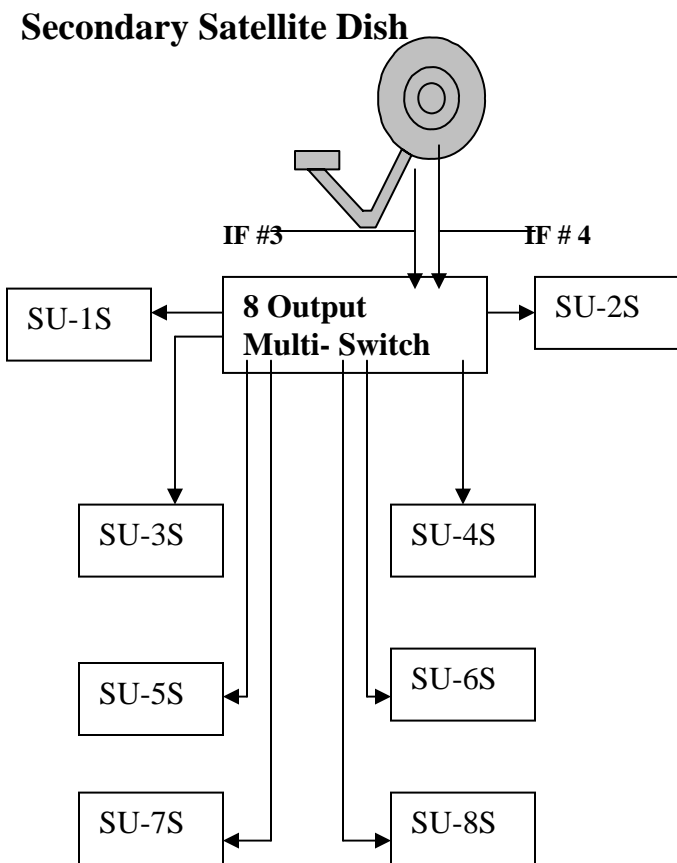
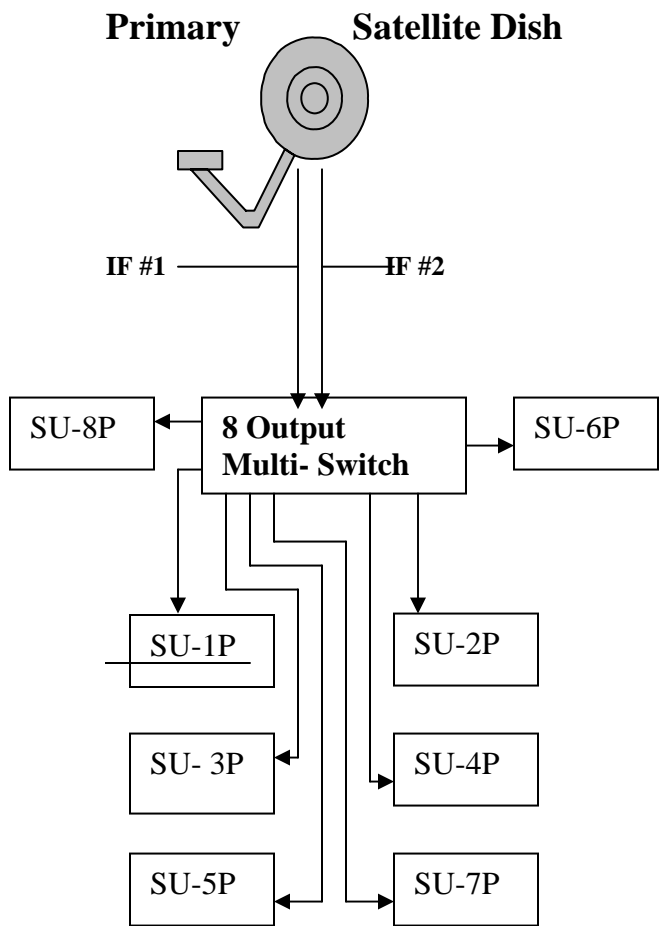


**BLOCK DIAGRAM FOR SUSQUEHANNA INTERNATIONAL GROUP**

**Diagram 1-1**

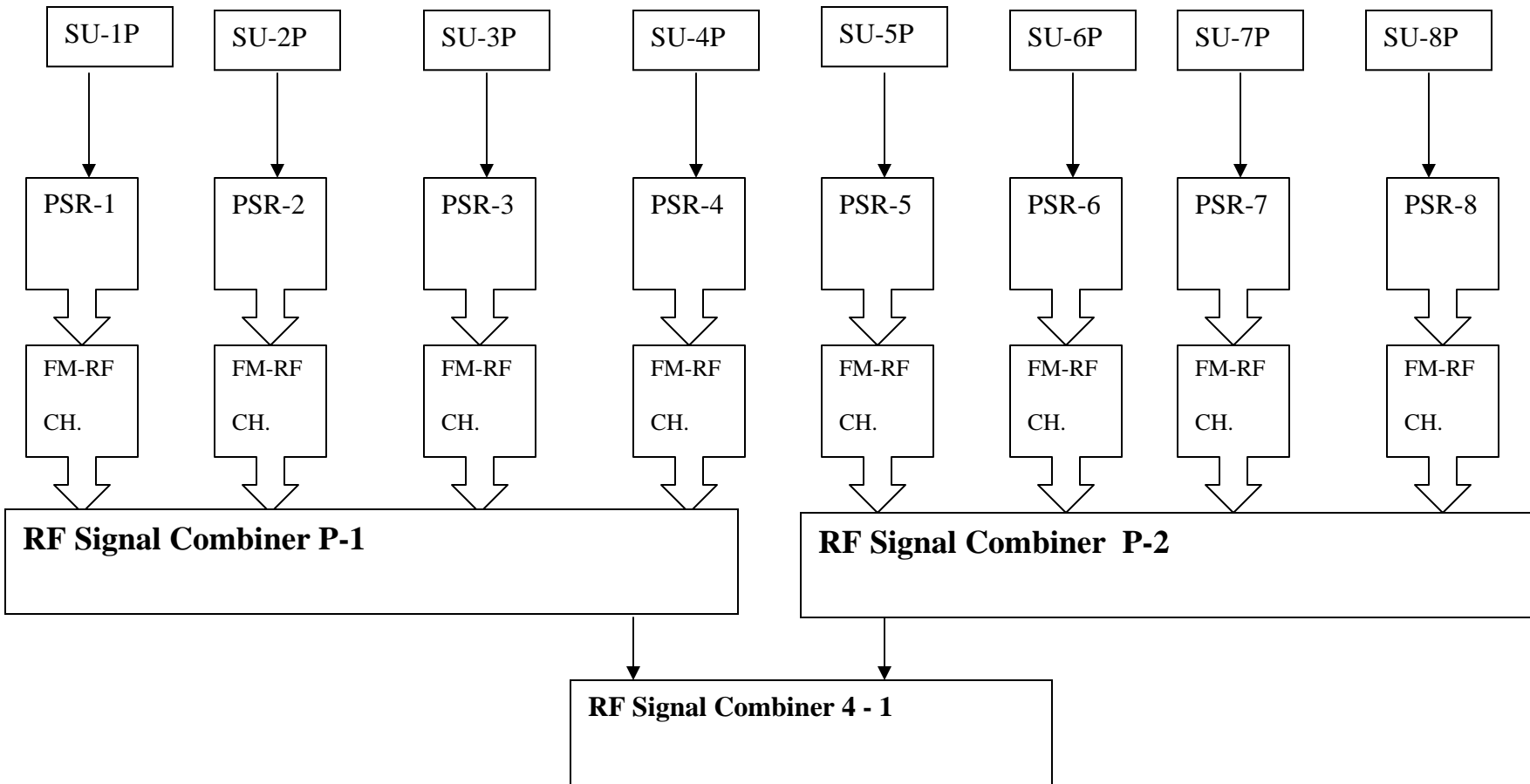
**LEGEND** – SU= Subscriber Converter Unit = Primary Satellite Dish Feed  
S = Secondary Satellite Dish Feed



**BLOCK DIAGRAM FOR SUSQUEHANNA INTERNATIONAL GROUP  
PRIMARY RECEIVER RACK CONFIGURATION**

**Diagram 1-2**

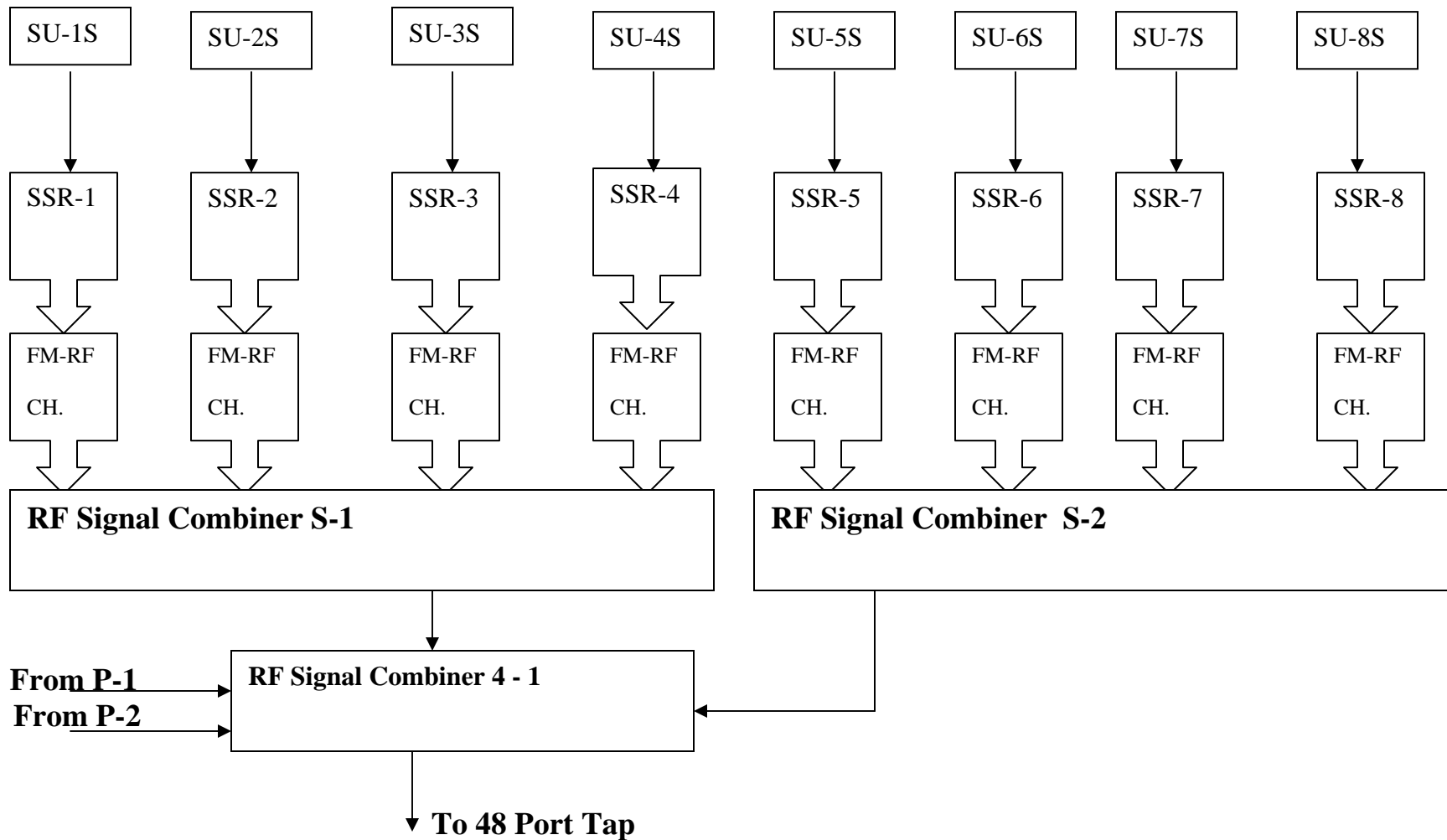
**LEGEND** – SU= Subscriber Converter Unit / P=Primary Satellite Dish Feed  
PSR = Primary Satellite Receiver / FM = Frequency Modulator  
RF = Signal Type / CH = Channel



**BLOCK DIAGRAM FOR SUSQUEHANNA INTERNATIONAL GROUP  
SECONDARY RECEIVER RACK CONFIGURATION**

**Diagram 1-3**

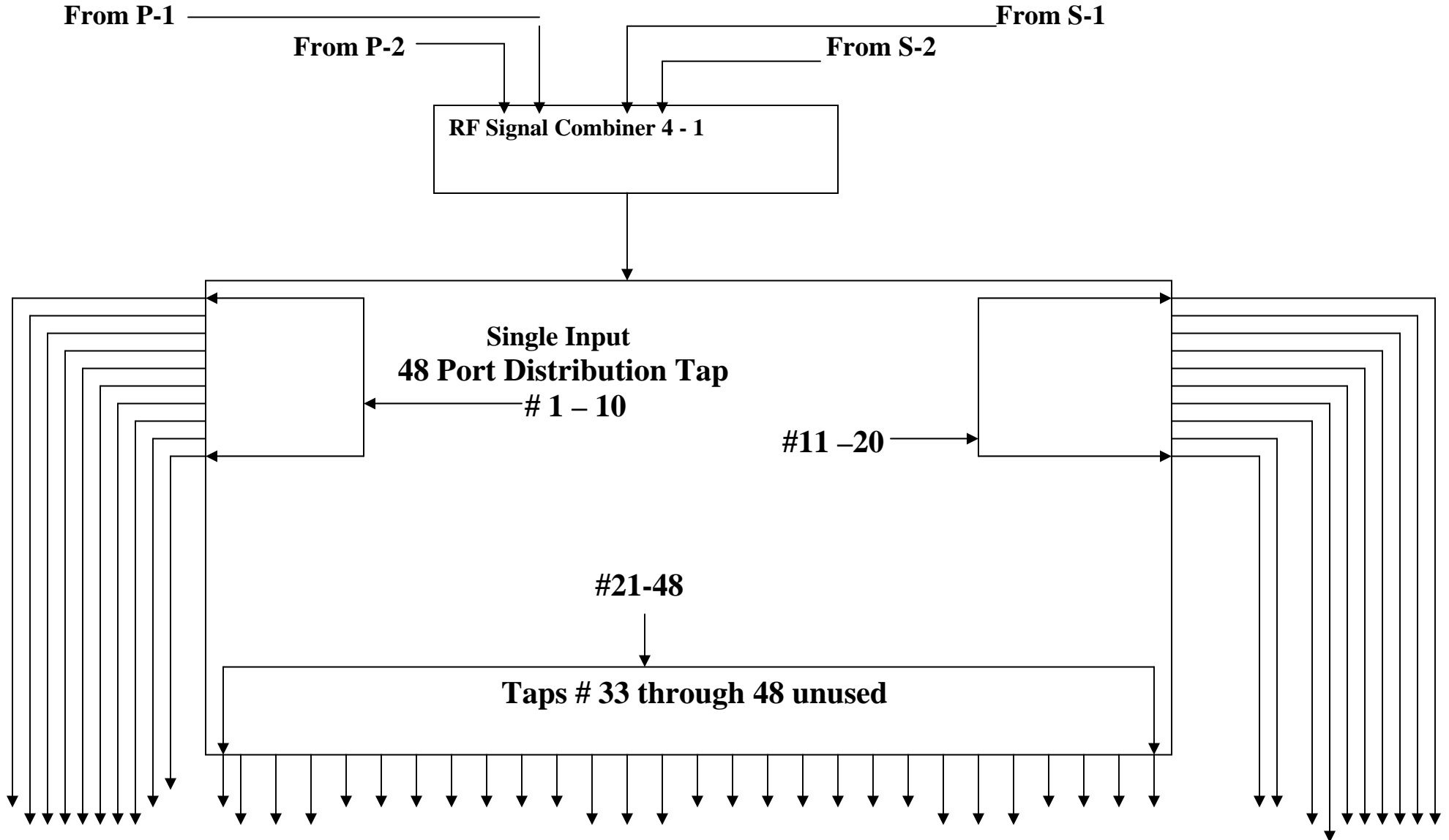
**LEGEND** – SU= Subscriber Converter Unit / S = Secondary Satellite Dish Feed  
 PSR = Primary Satellite Receiver / FM = Frequency Modulator  
 RF = Signal Type / CH = Channel / SSR= Secondary Satellite Receiver



**BLOCK DIAGRAM FOR SUSQUEHANNA INTERNATIONAL GROUP  
DISTRIBUTION CONFIGURATION**

**Diagram 1-4**

**LEGEND – L = Coax Cable / TV = Television/ T =Tap**



**BLOCK DIAGRAM FOR SUSQUEHANNA INTERNATIONAL GROUP  
DISTRIBUTION CONFIGURATION**

**Diagram 1-5**

**LEGEND – L = Coax Cable / TV = Television/ T =Tap**

